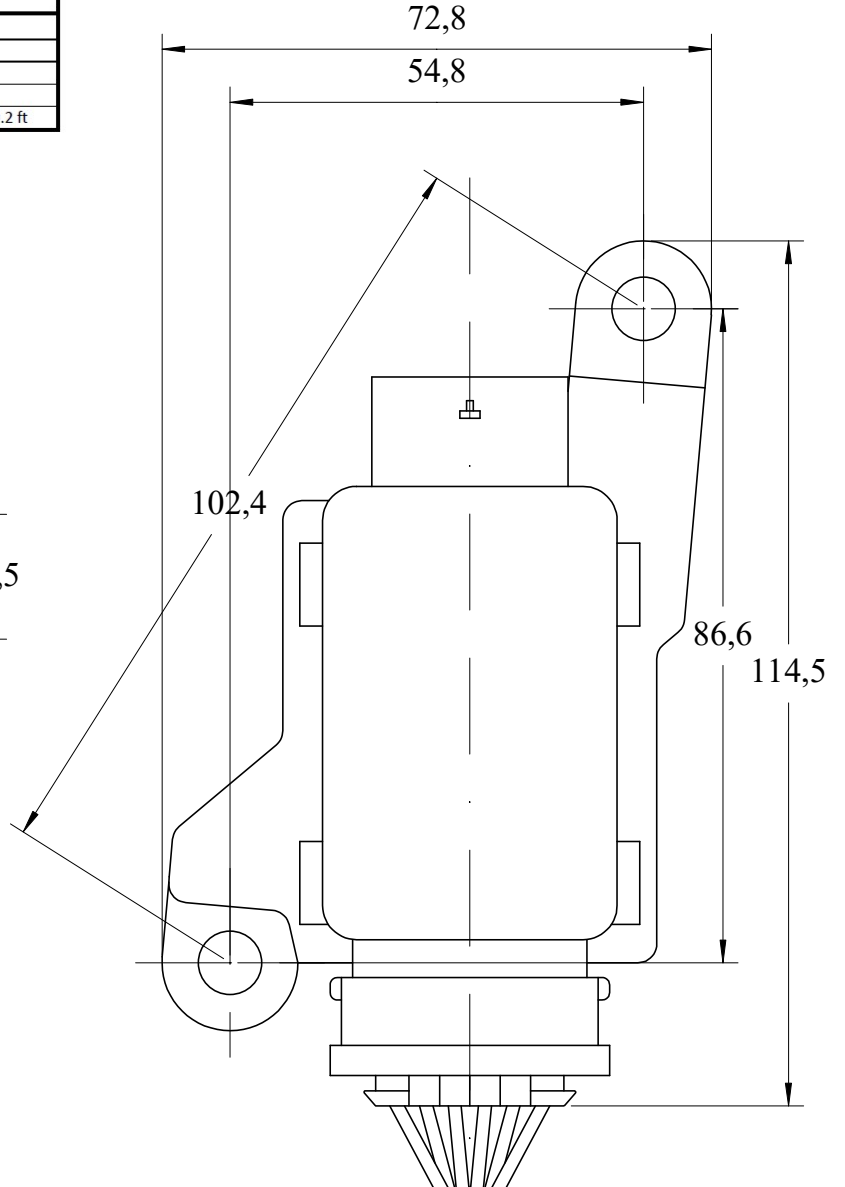
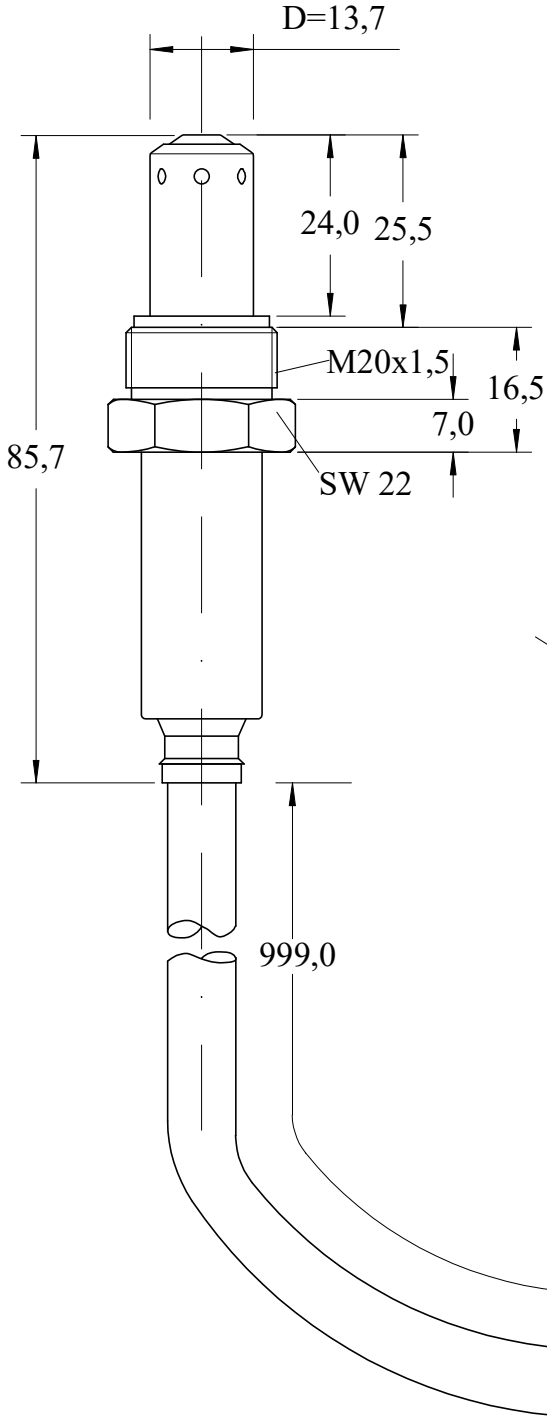


Pinning

| Pin | Designation |
|-----|----------------------------|
| 1 | U _{Batt} +24 V DC |
| 2 | GND |
| 3 | CAN low |
| 4 | CAN high |
| 5 | change identifier |

mating connectors

| part number | description |
|-------------|-----------------------------------|
| 70550 | components kit |
| 70551 | cable with connector 3 m |
| 70553 | cable with connector 5 m |
| 70554 | cable with connector 10 m |
| 70555 | cable with connector 15 m 49.2 ft |



Allgemeintoleranzen gem. ISO 2768
 General tolerances acc. to ISO 2768
 scale 1:1
 weight 200 g
 All dimensions in [mm]

| | | Datum | Name |
|-------|----------|-------------------|-------------|
| | | Bearb. 20.05.2026 | S. Carstens |
| | | Gepr. | |
| | | Norm | |
| | | TurboCAD16.1 | |
| | | | |
| | | | |
| Index | Änderung | Datum | Name |

NOx-Probe "Budget Line"
 0-3000 ppm
 Art.-Nr. 70502

EngineSens Motorsensor GmbH
 Mannheimer Str. 44b D-68519 Viernheim
 Tel. +49-(0)6204/98 60 823 Fax +49-(0)6204/98 60 825

Blatt 1/1